



# UNITED BRASS WORKS, INC.

714 S. Main St. Randleman, N.C. 27317

Tel: 800-334-3035 Fax: 800-498-4696 www.ubw.com



## Model 67LF Lead Free Grooved Check Valve

**UL** US UL Listed

**250 WOG @ 180 ° Max**

**100% Pressure Tested**

**Grooved Ends**

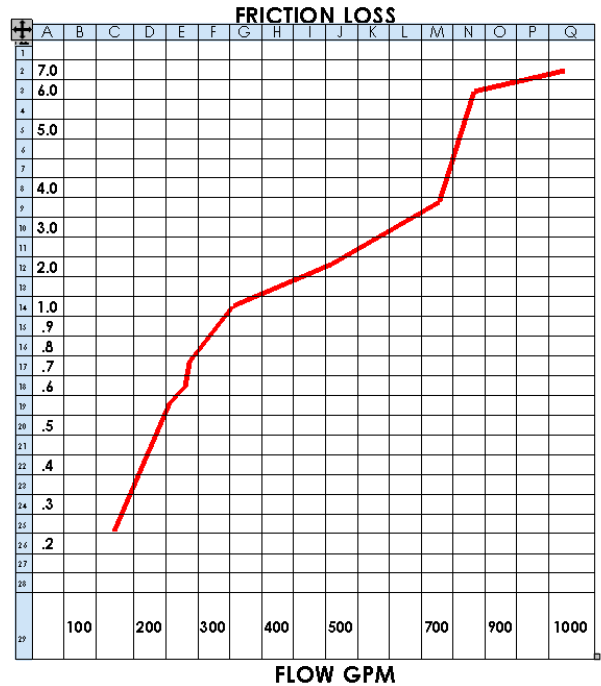
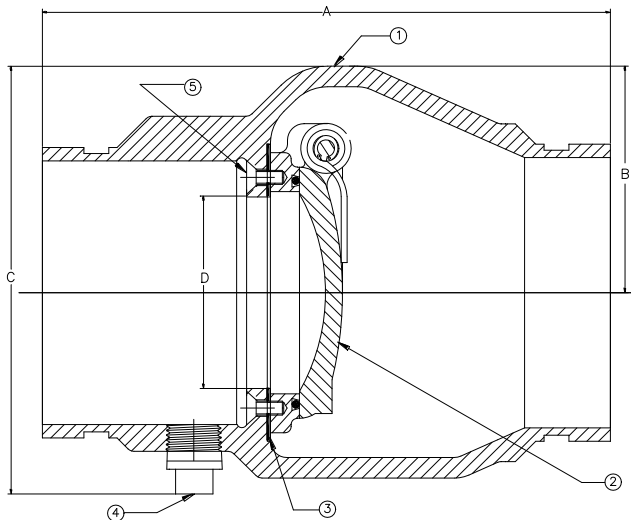
*Drilled, tapped*

*and fitted with 1/2" drain plug.*

*Can be installed vertically or horizontally*

### MATERIAL LIST

NO.	DESCRIPTION	MATERIAL
1	Body	Ductile Iron
2	Seat Ring Assembly	Bronze
3	Seat Ring Gasket	Buna
4	Pipe Plug	Steel
5	Screw	Stainless Steel



Size	A	B	C	D
4"	8.56	3.44	6.25	3.00

Ship Wgt. (lbs.)	Qty. Per Ctn.
17.0	1