



# UNITED BRASS WORKS, INC.

714 S. Main St. Randleman, N.C. 27317

Tel: 800-334-3035 Fax: 800-498-4696 www.ubw.com



## Model 127TSSNGB Sampler Valve

**200 WOG • 100% Pressure Tested**

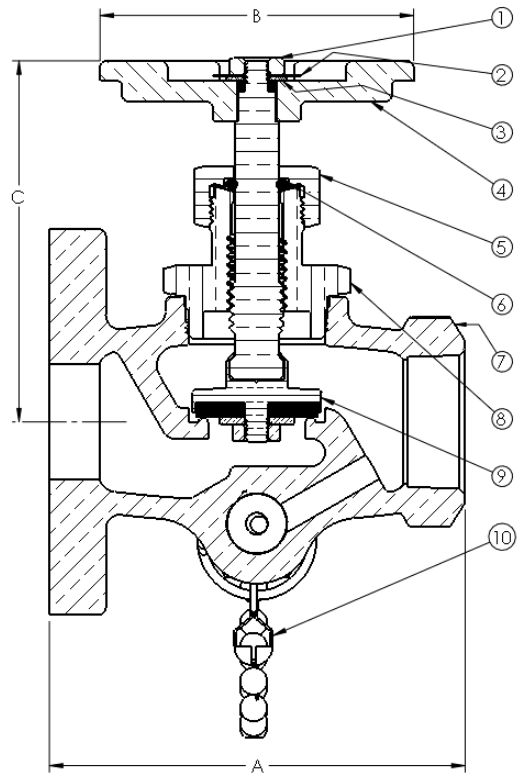
**Flange Inlet x Thread Outlet**

**ANSI Standard 150 Flange**

**3/8" Sampling Device**

**No Gasket Groove • PTFE Disc**

**Operating Temperature -50° C to +135° C**



### Material List

No.	Description	Material
1	Nut	Steel
2	Washer	Brass
3	Weidmann I.D. Disc	Steel
4	Hand Wheel	Bronze
5	O-Ring Nut	Brass
6	O-Ring	Mil Buna
7	Body	Bronze
8	Bonnet (1")	Brass
	Bonnet (2")	Bronze
9	Stem/Disc Assm.	Brass/PTFE Disc
10	86 3/8" Sampler	See Spec

Size	A	B	C (Open)	C (Closed)	Bolt Circle	Bolt Hole	Weight
1"	3.81	2.94	3.75	3.31	3.13	0.625	3.93
2"	5.69	3.75	6.13	5.63	4.75	0.750	11.10