

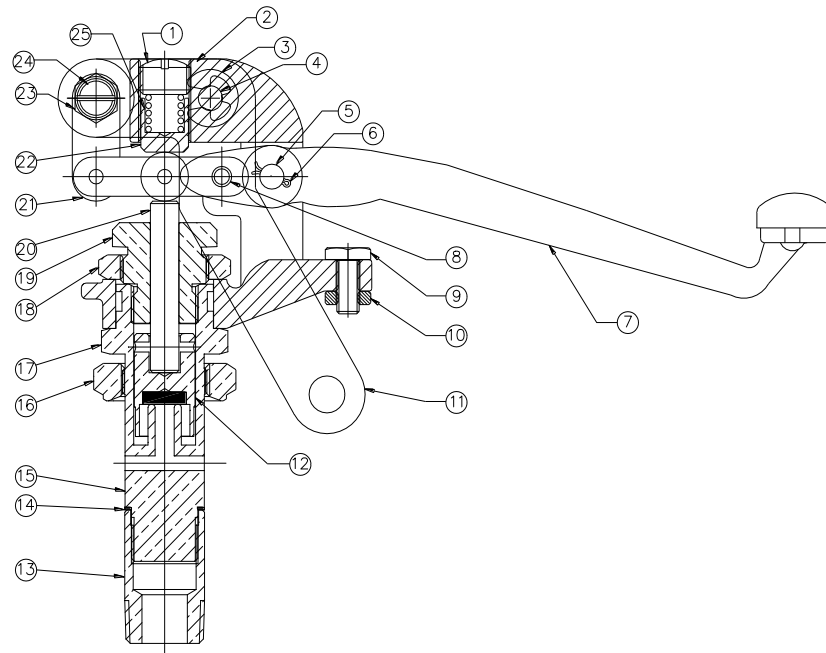


**UNITED BRASS WORKS, INC.**  
 714 S. Main St. Randleman, N.C. 27317  
 Tel: 800-334-3035 Fax: 800-498-4696 www.ubw.com



**Model X121A**  
**Head Valve Assembly w/ Bushing**  
**125WSP @ 350°F Max**

\*Install using V120T Gasket-(not included)



NO.	DESCRIPTION	QTY.
1	X122 – Spring Plug	1
2	X138 – Handle Bearing	1
3	V164A – Retaining Ring	2
4	727A – Pin w/ Snap Ring	1
5	727 – Pin to Handle	1
6	4052 – Cotter Pin	1
7	X136 – Handle 7½”	1
8	X139 – Rocker Arm Pin	1
9	784 – Cap Screw	1
10	786 – Jam Nut	1
11	X134 – Operating Yoke	1
12	V115 – Disc Holder	1
13	X133 – Bushing	1

NO.	DESCRIPTION	QTY.
14	X132 – Metal Gasket	1
15	X131L – Label	1
16	772 – Body Lock Nut	1
17	X131 – Body	1
18	X129 – Guide Lock Nut	1
19	X128 – Stem Guide	1
20	X127 – Stem	1
21	X126 – Rocker Arm	1
22	X125 – Spring Cup	1
23	V171 – Hex Nut	1
24	X124 – Link Stud	1
25	U123 – Compression Spring	1