



UNITED BRASS WORKS, INC

714 S. Main St.. Randleman, N.C. 27317

Phone: 800/334-3035 Fax: 800/498-4696

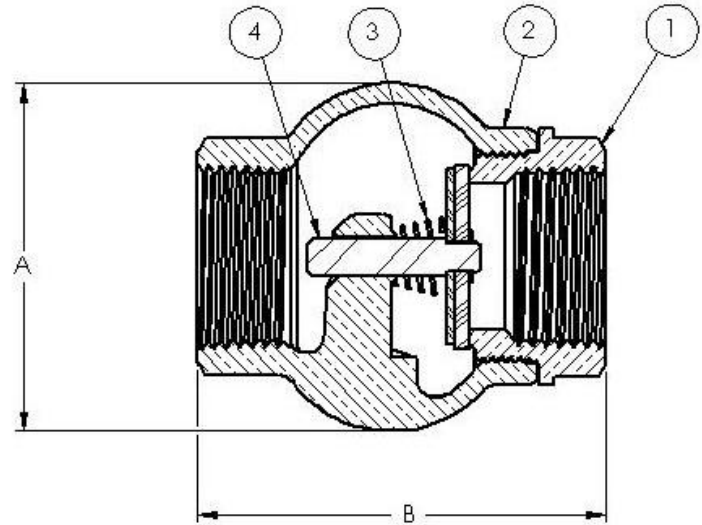


Model 97S Full Flow In-Line Check Valve

300 WOG @ 180°F Max

100% Pressure Tested

Threaded Ends • Soft Disc • Integral Seat



MATERIAL LIST

NO.	DESCRIPTION	MATERIAL
1	Tailpiece	Brass
2	Body	Brass
3	Spring	Stainless Steel
4	Disc Holder Assembly	Stainless Steel

Size	A	B	Weight
1/4"	1.00	1.90	.32
1/2"	1.30	2.10	.40
3/4"	1.58	2.21	.55
1"	2.40	2.80	1.10