



UNITED BRASS WORKS, INC

714 S. Main St.. Randleman, N.C. 27317

Phone: 800/334-3035 Fax: 800/498-4696 www.ubw.com



Model 946AS 1/2" Short Shank Lower Fixture With Ball Check

**250 WSP @ 406°F Max
400WOG**

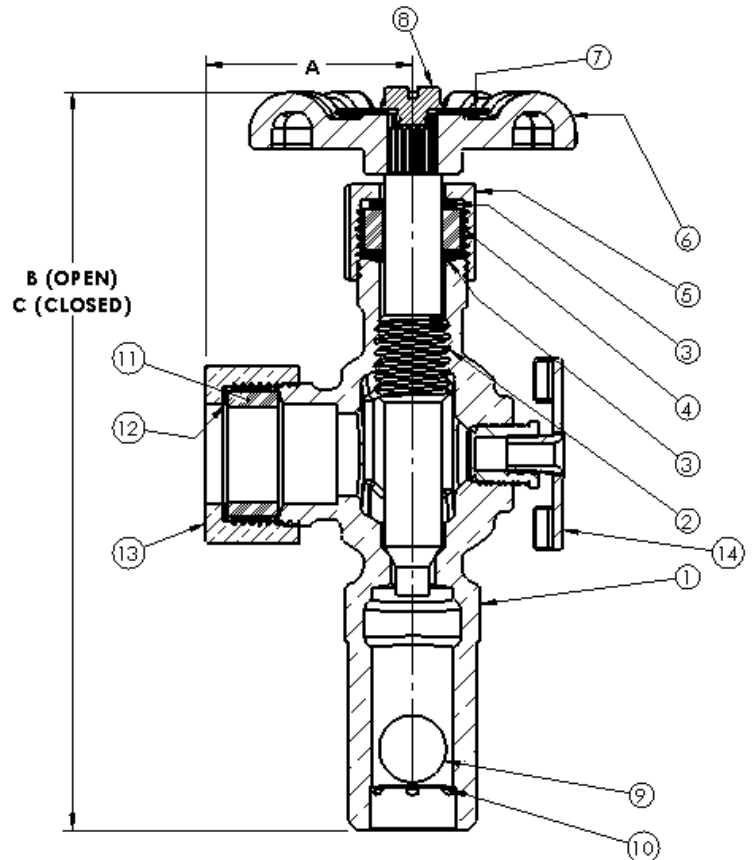
**Rising Stem · Bronze Body
Ductile Iron Hand Wheel**

***Contains lead. Not For Use In Water Systems
Intended for Human Consumption***

CRN OCO7135.2C

MATERIAL LIST

NO.	DESCRIPTION	MATERIAL
1	Body	Bronze
2	Stem	Brass
3	Bevel Washer (2)	Brass
4	Packing	NAFG
5	Packing Nut	Brass
6	Hand Wheel	Ductile Iron
7	Tag	Steel
8	Hex Nut	Brass
9	Ball	Brass
10	Retaining Clip	Steel
11	Glass Gasket	EPDM
12	Washer	Steel
13	Glass Nut	Brass



Size	1/2"
A	1.25
B	5.20
C	5.02
Ship Wt. (lbs.)	0.63
Qty. Per Carton	12

***Available with Plastic Hand
Wheel as Part 946ASPW***