



UNITED BRASS WORKS, INC
 714 S. Main St.. Randleman, N.C. 27317
 Phone: 800/334-3035 Fax: 800/498-4696 www.ubw.com



Model 946 1/2" Long Shank Lower Fixture

**250 WSP @ 406°F Max
 400WOG**

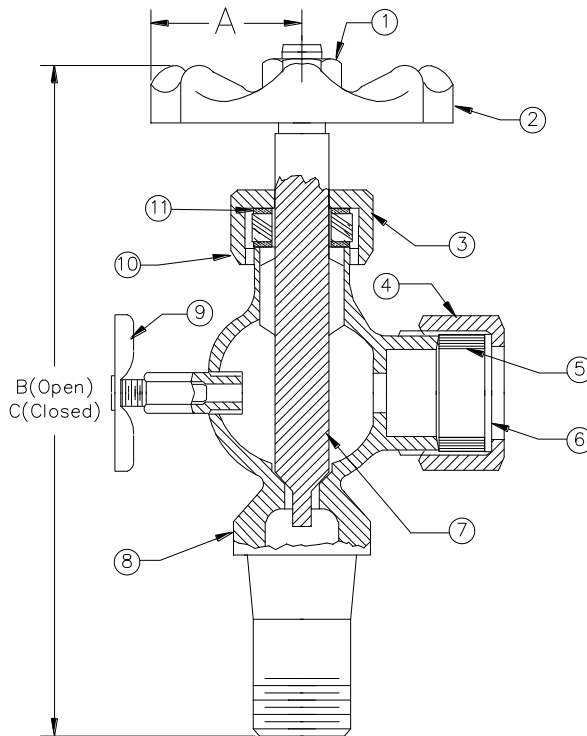
**Rising Stem • Bronze Body
 Ductile Iron Hand Wheel**

***Contains lead. Not For Use In Water Systems
 Intended for Human Consumption***

CRN OCO7135.2C

MATERIAL LIST

NO.	DESCRIPTION	MATERIAL
1	Screw	Steel
2	Hand Wheel	Ductile Iron
3	Packing Nut	Brass
4	Glass Washer Nut	Brass
5	Glass Washer	EPDM
6	Washer	Steel
7	Stem	Brass
8	Body	Bronze
9	Drain Cock	Brass
10	Packing	NAFG
11	Bevel Washer	Brass



Size	1/2"
A	1.25
B	5.20
C	5.02
Ship Wt. (lbs.)	0.75
Qty. Per Carton	12

***Available With Plastic
 Hand Wheel as Part
 946PW***