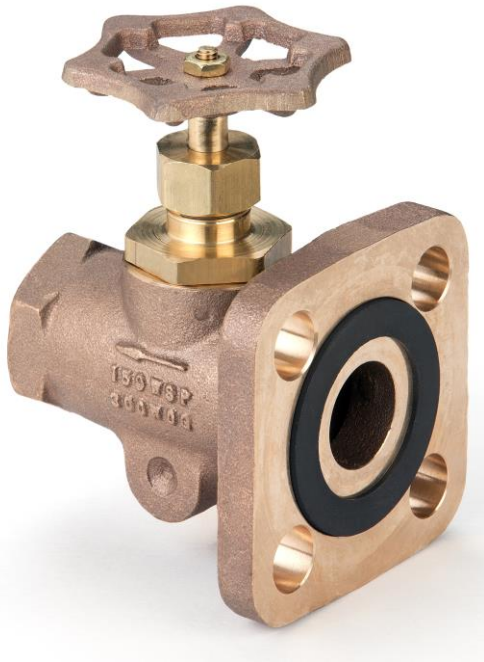




# UNITED BRASS WORKS, INC

714 S. Main St.. Randleman, N.C. 27317

Phone: 800/334-3035 Fax: 800/498-4696 [www.ubw.com](http://www.ubw.com)



## Model 127TB Sampler Valve

**200 WOG • 100% Pressure Tested**

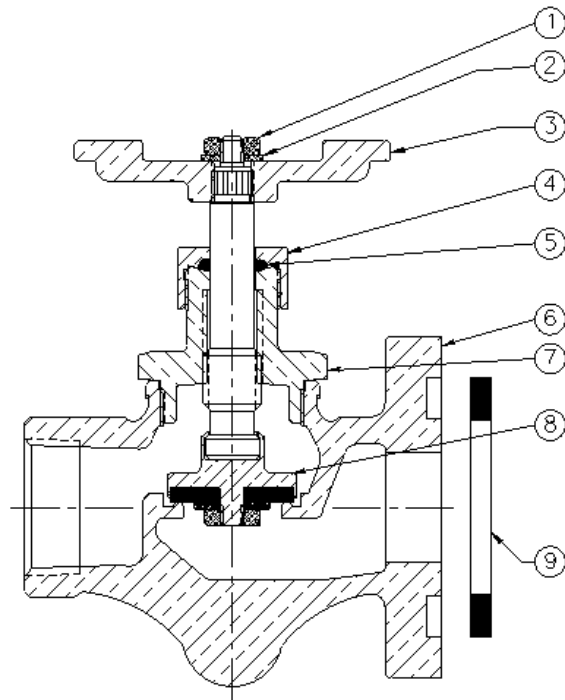
**Flanged Inlet x Threaded Outlet**

**PTFE Disc • Bronze Hand Wheel**

**Gasket Groove**

**Operating Temperature -50° C to +135° C**

MATERIAL LIST		
NO.	DESCRIPTION	MATERIAL
1	Nut	Steel
2	Washer	Steel
3	Hand Wheel	Bronze
4	O-Ring Nut	Brass
5	O-Ring	Buna
6	Body	Bronze
7	Bonnet 1"	Brass
	Bonnet 2"	Bronze
8	Stem/Disc Assembly	Brass/PTFE Disc
9	Gasket	Buna



Size	A	B	C (Open)	C (Closed)	Bolt Circle	Bolt Hole	Weight
1"	3.81	2.94	3.75	3.31	3.13	0.625	4.10
2"	5.69	3.75	6.13	5.63	4.75	0.750	11.35