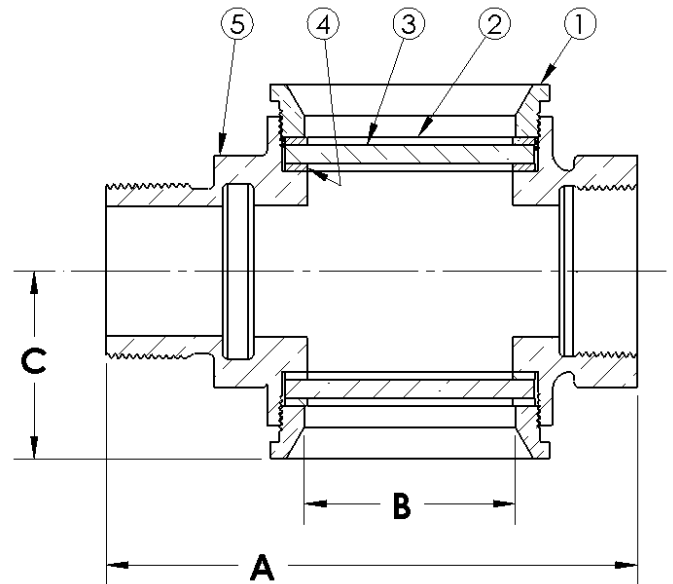




UNITED BRASS WORKS, INC
 714 S. Main St.. Randleman, N.C. 27317
 Phone: 800/334-3035 Fax: 800/498-4696 www.ubw.com



Model 70TTSL
High Pressure Flow Indicator
With PTFE Seals
Tempered Soda Lime Glass
 100% Pressure Tested
Male X Female Configuration
Consult Engineering for Temp. Limits
***Contains lead. Not For Use In Water Systems**
Intended for Human Consumption*



MATERIAL LIST

NO.	DESCRIPTION	MATERIAL
1	Ring	Brass
2	Gasket	PTFE
3	Window	Tempered Soda Lime Glass
4	Gasket	PTFE
5	Body	Bronze

Size	3/4"	1"	1 1/4"	1 1/2"	2"	2 1/2"
Operating Pressure (PSI) ***	125	125	125	85	85	85
A	4.00	4.00	4.00	6.18	6.29	6.38
B	1.62	1.62	1.62	2.43	2.43	2.43
C	1.36	1.26	1.45	2.12	2.15	2.25
Ship Wgt. (lbs)	1.37	1.50	1.50	4.69	4.56	5.25
Qty. Unit Pack	4	4	4	2	2	1
Unit Per Case	40	40	40			

*** Higher Pressure Glass Available As Special