



**UNITED BRASS WORKS, INC**  
 714 S. Main St.. Randleman, N.C. 27317  
 Phone: 800/334-3035 Fax: 800/498-4696 [www.ubw.com](http://www.ubw.com)



## Model 70BSP High Pressure Flow Indicator With Polycarbonate Window & Activity Signal

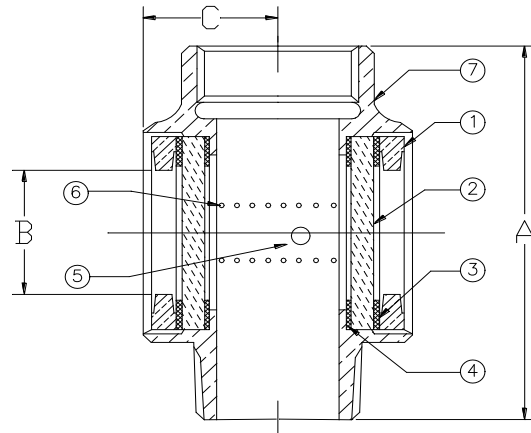


**100% Pressure Tested**  
**Male X Female Configuration**  
**175 WOG @ 150° Max**  
**\*Contains lead. Not For Use In Water Systems Intended for Human Consumption\***

*Continuous use above 150° can cause embrittlement and reduce strength of Polycarbonate Window.*

### MATERIAL LIST

NO.	DESCRIPTION	MATERIAL
1	Ring	Brass
2	Window	Polycarbonate
3	Gasket	Cork
4	Gasket	Buna
5	Ball	Nylon
6	Spring	Stainless Steel
7	Body	Bronze



Size	3/4"	1"	1 1/4"	1 1/2"	2"	2 1/2"
Operating Pressure (PSI) ***	175	175	175	175	175	175
A	4.00	4.00	4.00	6.18	6.29	6.38
B	1.62	1.62	1.62	2.43	2.43	2.43
C	1.36	1.26	1.45	2.12	2.15	2.25
Ship Wgt. (lbs)	1.37	1.50	1.50	4.69	4.56	5.25
Qty. Unit Pack	4	4	4	2	2	1
Unit Per Case	40	40	40			

\*\*\* Higher Pressure Glass Available As Special