



# UNITED BRASS WORKS, INC.

714 S. Main St. Randleman, N.C. 27317

Tel: 800-334-3035 Fax: 800-498-4696 www.ubw.com



## Model 50LS Lift Check Valve Complies with MSS-SP-80-2013

**400 WOG @ 180 ° Max**

**100% Pressure Tested**

**Threaded Ends • Soft Disc**

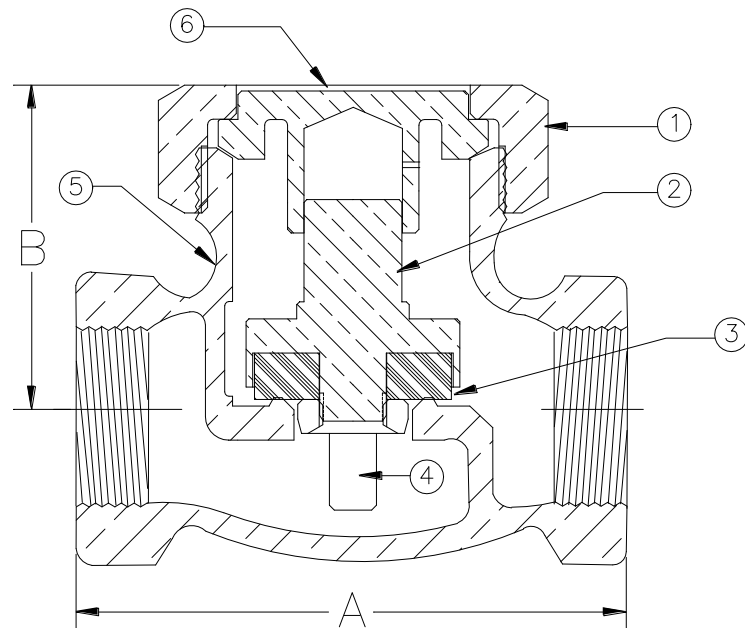
**Integral Seat**

**\*Contains Lead. Not Intended for Use in Potable Water Systems\***

*Not recommended for steam service.*

### MATERIAL LIST

NO.	DESCRIPTION	MATERIAL
1	Bonnet Nut (1/4" – 3/8") Bonnet Nut (1/2" – 2")	Brass Bronze
2	Disc Holder (1/4" – 3/4") Disc Holder (1" – 2")	Brass Bronze
3	Soft Disc	Buna-N
4	Disc Holder Nut (1/4" – 1 1/4") Disc Holder Nut (1 1/2" – 2")	Brass Bronze
5	Body	Bronze
6	Guide (1/4" – 3/4") Guide (1" – 2")	Brass Bronze



Size	1/4"	3/8"	1/2"	3/4"	1"	1 1/4"	1 1/2"	2"
A	2.19	2.36	2.59	3.17	3.75	4.28	4.78	5.88
B	1.19	1.50	1.88	1.81	2.06	2.38	2.63	3.25
Ship Wgt. (lbs.)	0.56	0.75	1.03	1.61	2.44	3.84	5.20	9.00
Qty. Per Ctn.	12	12	12	6	6	2	2	1