



UNITED BRASS WORKS, INC.

714 S. Main St. Randleman, N.C. 27317

Tel: 800-334-3035 Fax: 800-498-4696 www.ubw.com



Model 62S Swing Check Valve Complies with MSS-SP-80-2013

400 WOG @ 180 ° Max

100% Pressure Tested

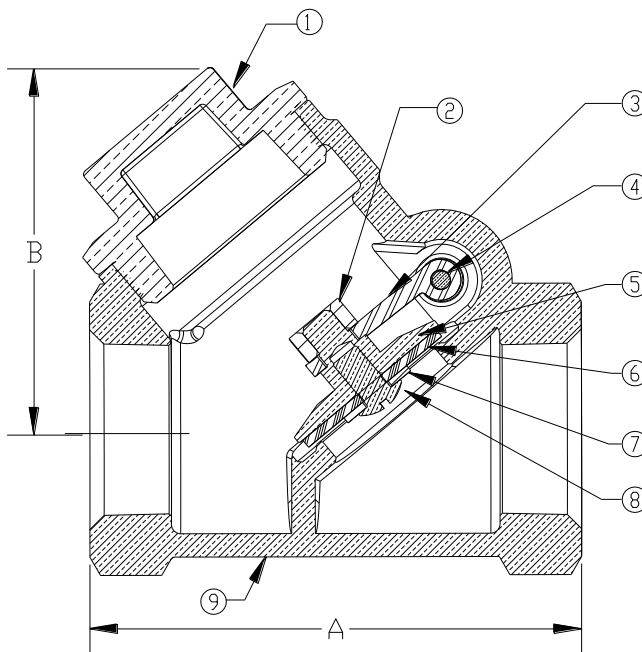
Threaded Ends

Contains Lead. Not Intended for Use in Potable Water Systems

*Install in horizontal position with cap in upright position.
Not recommended for pulsating or vibrating service.*

MATERIAL LIST

NO.	DESCRIPTION	MATERIAL
1	Cap (1/4" - 3/4") Cap (1" - 3")	Brass Bronze
2	Disc Nut	Brass
3	Hinge	Stainless Steel
4	Hinge Pin	Brass
5	Disc Holder	Brass
6	Disc	Buna-N
7	Washer	Brass
8	Screw	Brass
9	Body	Bronze



Size	1/4"	3/8"	1/2"	3/4"	1"	1 1/4"	1 1/2"	2"
A	3.38	2.53	2.75	3.09	3.53	5.13	5.13	5.56
B	1.53	1.53	1.53	1.88	2.09	3.63	3.63	4.56
Ship Wgt. (lbs.)	0.75	0.81	0.76	1.19	1.73	5.75	5.75	10.00
Qty. Per Ctn.	12	12	12	12	6	2	2	1