



UNITED BRASS WORKS, INC
 714 S. Main St.. Randleman, N.C. 27317
 Phone: 800/334-3035 Fax: 800/498-4696 www.ubw.com



Model 1010 Reducing Valve (Air & Water Applications)

Max. Inlet Pressure – 200WOG

Adjustment Range – 5 – 120PSI

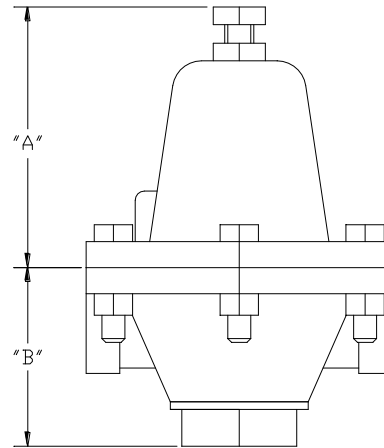
Bronze Piston & Cylinder

Neoprene Diaphragm

***Contains lead. Not For Use In Water Systems
 Intended for Human Consumption***

Reducing Valve Replacement Parts

1012	Diaphragm
1013	Gasket
1016	Piston & Cylinder Assembly



Size	1/2"	3/4"	1"	1 1/4"	1 1/2"	2"
A	4.50	5.3	5.88	6.75	6.75	9.25
B	4.50	4.63	5.38	6.13	6.13	8.50
Ship Wgt. (lbs.)	7.50	9.00	12.00	18.00	18.00	38.00