



# UNITED BRASS WORKS, INC.

714 S. Main St., Randleman, NC 27317

Tel: 800-334-3035 Fax: 800-498-4696 www.ubw.com



## Model 126TB Valve

**200 WOG**

**100% Pressure Tested**

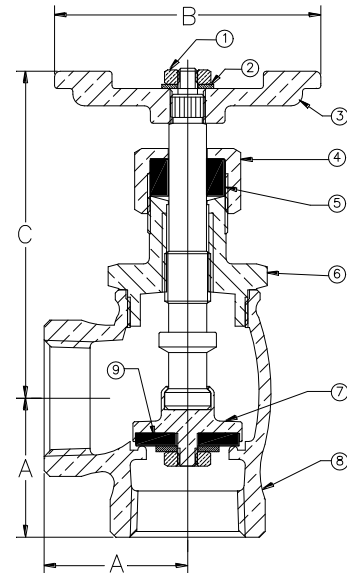
**Threaded Ends • Rising Stem • Bronze  
Hand Wheel • Swivel Disc Holder**

**PTFE Disc**

**Operating Temperature -50°C to +135°C**

### MATERIAL LIST

NO.	DESCRIPTION	MATERIAL
1	Nut	Steel
2	Washer	Brass
3	Hand Wheel	Bronze
4	Packing Nut	Brass
5	Packing	NAFG
6	Bonnet (1/2" – 1") Bonnet (1 1/4" – 2")	Brass Bronze
7	Stem/Disc Assembly	Brass
8	Body	Bronze
9	Disc	PTFE



Size	1/2"	3/4"	1"	1 1/4"	1 1/2"	2"
A	1.09	1.22	1.47	1.75	2.00	2.34
B	2.90	2.90	2.90	3.50	3.50	3.50
C (closed)	3.25	3.63	4.00	4.50	5.25	6.50
Ship Wt. (lbs.)	0.69	0.94	1.76	2.50	3.26	5.32
Qty. Unit Pack	12	6	6	4	2	2
Qty. Per Case	72	60	36	24	12	12