



# UNITED BRASS WORKS, INC.

714 S. Main St. Randleman, N.C. 27317

Tel: 800-334-3035 Fax: 800-498-4696 www.ubw.com



## Model 381T Globe Valve

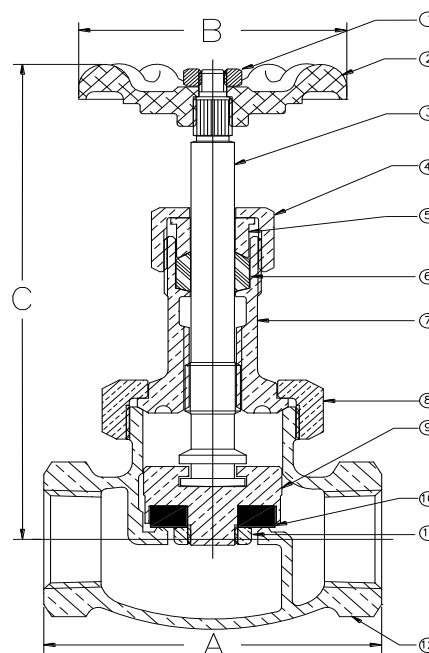
Conforms with MSS-SP80-2013

CRN OCO7135.2

**300 lbs. WSP • 600 lbs. WOG • Integral Seat**  
**100% Pressure Tested • Threaded Ends**  
**Rising Stem • Swivel Disc Holder • PTFE Disc**  
**\*Contains Lead. Not Intended for Use in Potable Water Systems**

### MATERIAL LIST

NO.	DESCRIPTION	MATERIAL
1	Hex Nut	Steel
2	Hand Wheel	Zinc or Ductile Iron
3	Stem	Bronze
4	Packing Nut	Bronze
5	Packing Gland	Bronze
6	Packing	NAFG
7	Bonnet	Bronze
8	Bonnet Nut	Bronze
9	Disc Holder	Bronze
10	Disc	PTFE
11	Disc Nut	Brass
12	Body	Bronze



Size	½"	¾"	1"	1 ¼"	1 ½"	2"
A – Globe	2.63	3.06	3.78	4.51	4.75	5.81
B	2.42	2.78	3.00	2.93	3.72	4.36
C – Closed	4.59	5.13	6.00	6.94	7.63	8.44
C – Open	5.03	5.56	6.56	7.50	8.33	9.25
Ship Wt. (lbs.)	1.50	2.0	3.37	5.19	7.00	11.19
Qty. Per Ctn.	12	6	6	4	2	2