



UNITED BRASS WORKS, INC.
 714 S. Main St. Randleman, N.C. 27317
 Tel: 800-334-3035 Fax: 800-498-4696 www.ubw.com



Model 127TSSH Sampler Valve

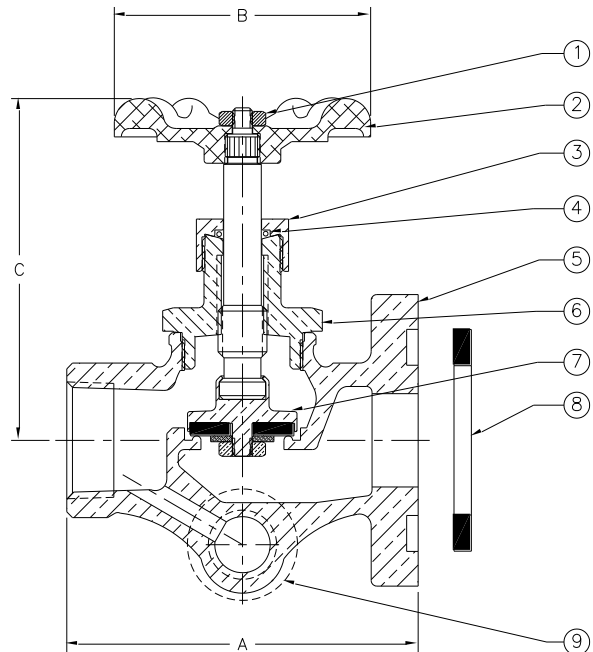


200 WOG • 100% Pressure Tested
Flanged Inlet x Threaded Outlet
PTFE Disc • Gasket Groove
Special 7/16" Bolt Hole in Flange
Operating Temperature -50° C to +135° C

Sampler Port on Outlet Side of Valve

MATERIAL LIST

NO.	DESCRIPTION	MATERIAL
1	Nut	Steel
2	Hand Wheel	Ductile or Zinc Die Cast
3	O-Ring Nut	Brass
4	O-Ring	Buna
5	Body	Bronze
6	Bonnet 1" Bonnet 2"	Brass Bronze
7	Stem & Disc Assembly	Brass/PTFE Disc
8	Gasket	Buna
9	Sampler (86 3/8")	See Spec



Size	A	B	C (Open)	C (Closed)	Bolt Circle	Bolt Hole	Weight
1"	3.81	2.94	3.75	3.31	3.13	0.44	4.10
2"	5.69	3.75	6.13	5.63	4.75	0.44	11.35