



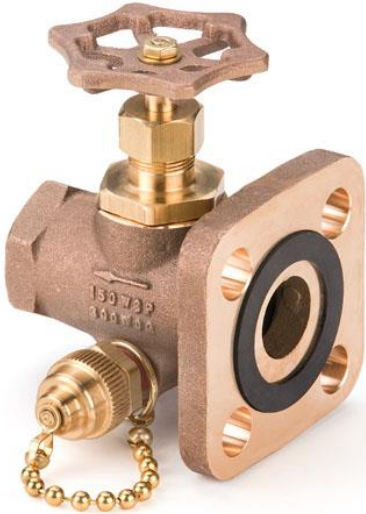
# UNITED BRASS WORKS, INC.

714 S. Main St. Randleman, N.C. 27317

Tel: 800-334-3035 Fax: 800-498-4696 www.ubw.com



## Model 127TSSB Sampler Valve



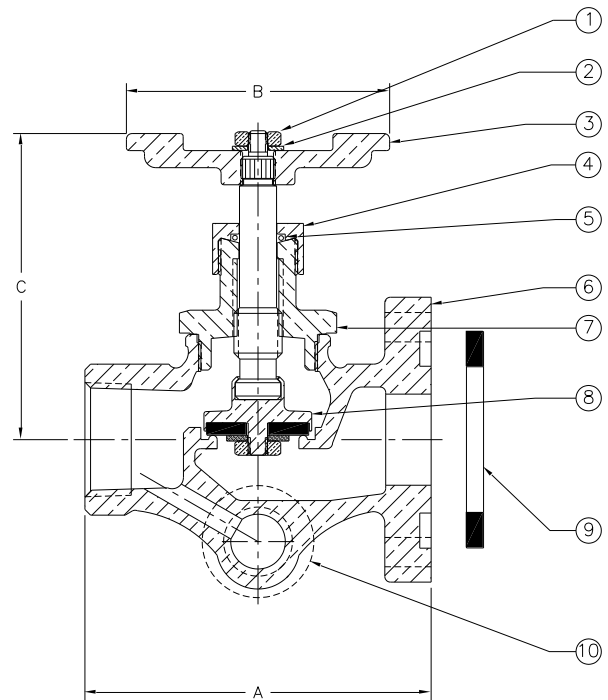
**200 WOG • 100% Pressure Tested**  
**Flanged Inlet x Threaded Outlet**  
**PTFE Disc • Bronze Hand Wheel**  
**Gasket Groove**

**Operating Temperature -50°C to +135° C**

**Sampler Port on Outlet Side of Valve**

### MATERIAL LIST

NO.	DESCRIPTION	MATERIAL
1	Nut	Steel
2	Washer	Steel
3	Hand Wheel	Bronze
4	O-Ring Nut	Brass
5	O-Ring	Buna
6	Body	Bronze
7	Bonnet 1" Bonnet 2"	Brass Bronze
8	Stem & Disc Assembly	Brass/PTFE Disc
9	Gasket	Buna
10	Sampler (86 3/8")	See Spec



Size	A	B	C (Open)	C (Closed)	Bolt Circle	Bolt Hole	Weight
1"	3.81	2.94	3.75	3.31	3.13	0.625	4.10
2"	5.69	3.54	6.13	5.63	4.75	0.750	11.35