



UNITED BRASS WORKS, INC.

714 S. Main St. Randleman, N.C. 27317

Tel: 800-334-3035 Fax: 800-498-4696 www.ubw.com



Model 128TSSB Sampler Valve



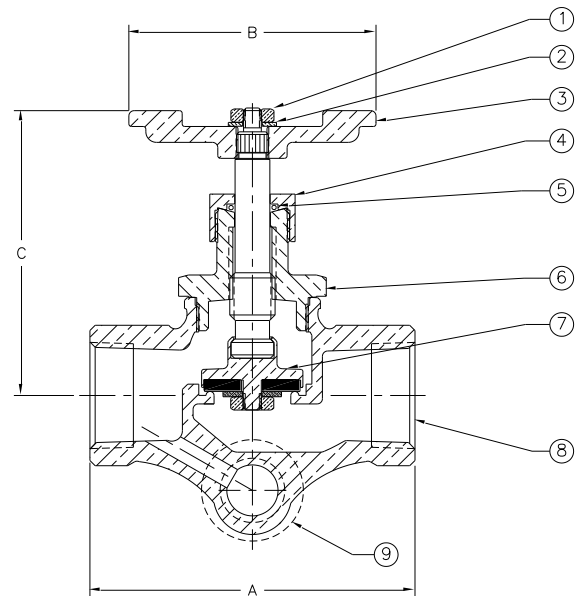
200 WOG • 100% Pressure Tested
PTFE Disc • Bronze Hand Wheel
Threaded Ends

Operating Temperature -50° C to +135° C

Sampler Port on Outlet Side of Valve

MATERIAL LIST

NO.	DESCRIPTION	MATERIAL
1	Nut	Steel
2	Washer	Steel
3	Hand Wheel	Bronze
4	O-Ring Nut	Brass
5	O-Ring	Buna
6	Bonnet 1" Bonnet 2"	Brass Bronze
7	Stem & Disc Assembly	Brass/PTFE Disc
8	Body	Bronze
9	Sample 86 3/8	See Spec



Size	A	B	C (Open)	C (Closed)	Weight
1"	3.81	3.00	3.75	3.38	2.94
2"	5.69	3.75	7.00	6.50	8.94