



**UNITED BRASS WORKS, INC.**  
 714 S. Main St. Randleman, N.C. 27317  
 Tel: 800-334-3035 Fax: 800-498-4696 www.ubw.com



## Model 128TSS Sampler Valve

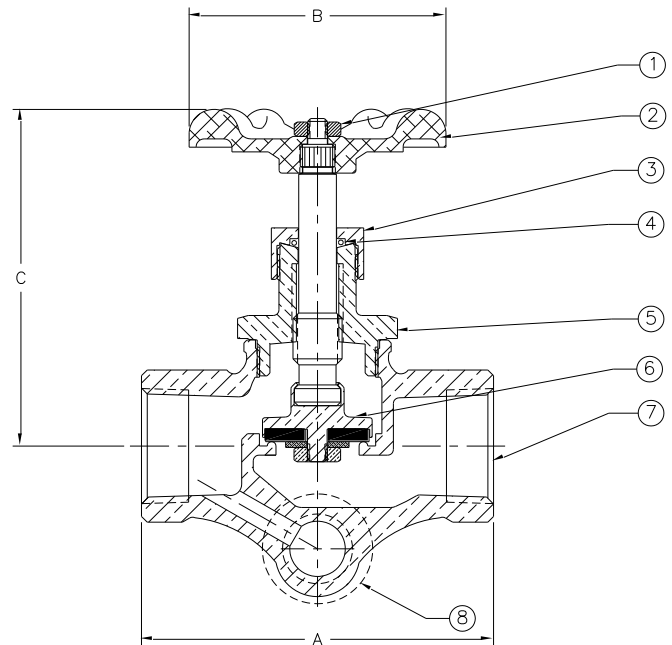
**200 WOG • 100% Pressure Tested**  
**PTFE Disc • Threaded Ends**  
**Operating Temperature -50°C to +135°C**

**Sampler Port on Outlet Side of Valve**



### MATERIAL LIST

NO.	DESCRIPTION	MATERIAL
1	Nut	Steel
2	Hand Wheel	Ductile or Zinc Die Cast
3	O-Ring Nut	Brass
4	O-Ring	Buna
5	Bonnet 1" Bonnet 2"	Brass Bronze
6	Stem & Disc Assembly	Brass/PTFE Disc
7	Body	Bronze
8	Sampler 86 3/8	(See Specs)



Size	A	B	C	C (Closed)	Weight
1"	3.81	3.00	3.75	3.38	2.94
2"	5.69	3.75	7.00	6.50	8.94