



UNITED BRASS WORKS, INC.
 714 S. Main St. Randleman, N.C. 27317
 Tel: 800-334-3035 Fax: 800-498-4696 www.ubw.com



Model 128TS Sampler Valve

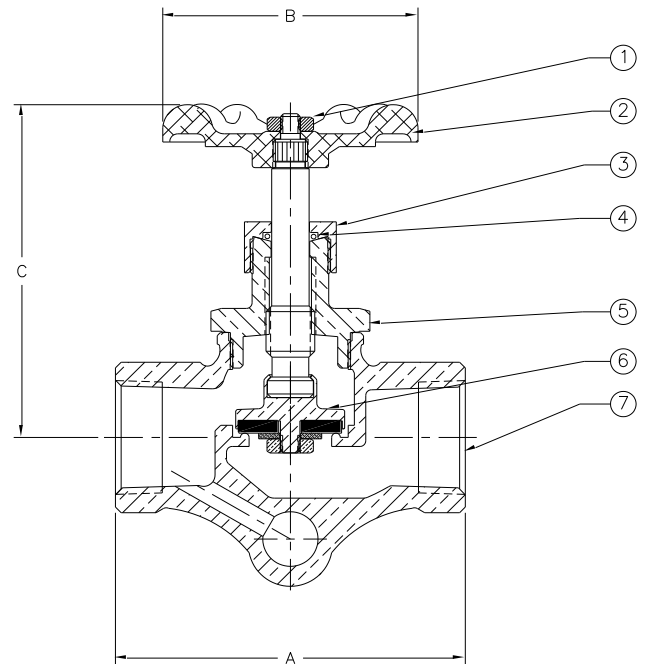
200 WOG • 100% Pressure Tested
PTFE Disc • Threaded Ends
Operating Temperature -50° C to +135° C

Sampler Port on Outlet Side of Valve



MATERIAL LIST

NO.	DESCRIPTION	MATERIAL
1	Nut	Steel
2	Hand Wheel	Ductile or Zinc Die Cast
3	O-Ring Nut	Brass
4	O-Ring	Buna
5	Bonnet 1" Bonnet 2"	Brass Bronze
6	Stem & Disc Assembly	Brass/PTFE Disc
7	Body	Bronze



Size	A	B	C (Open)	C (Closed)	Weight
1"	3.81	3.00	3.75	3.38	2.94
2"	5.69	3.75	7.00	6.50	8.94