



UNITED BRASS WORKS, INC

714 S. Main St.. Randleman, N.C. 27317

Phone: 800/334-3035 Fax: 800/498-4696 www.ubw.com



Model 125TSB Globe Valve

200 WOG

100% Pressure Tested

Bronze Hand Wheel • Threaded Ends

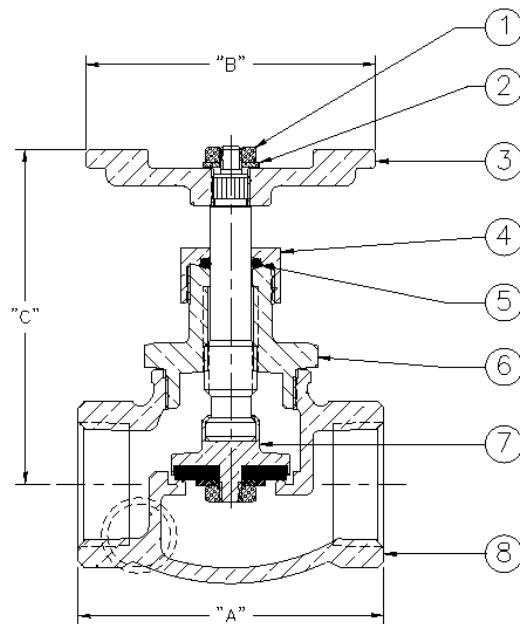
Rising Stem • PTFE Disc

Operating Temperature -50°C to +135°C

Sampler port is on outlet side.

MATERIAL LIST

NO.	DESCRIPTION	MATERIAL
1	Nut	Steel
2	Washer	Brass
3	Hand Wheel	Bronze
4	O-Ring Nut	Brass
5	O-Ring	Buna
6	Bonnet (1") Bonnet (1½" – 2")	Brass Bronze
7	Stem & Disc Holder	Brass with PTFE Disc
8	Body	Bronze



Size	A	B	C (Open)	C (Closed)	Weight
1"	3.03	2.94	4.38	4.00	2.47
1½"	4.06	3.72	5.50	4.32	3.40
2"	4.66	3.56	7.25	6.50	6.40