



UNITED BRASS WORKS, INC.
 714 S. Main St. Randleman, N.C. 27317
 Tel: 800-334-3035 Fax: 800-498-4696 www.ubw.com

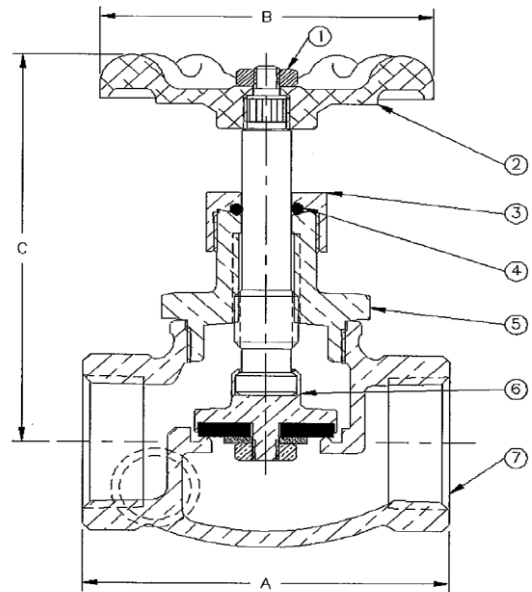


Model 125TS Globe Valve



200WOG
100% Pressure Tested
Threaded Ends
Rising Stem • PTFE Disc
Operating Temperature -50° C to +135° C

Sampler Port is on outlet side.



MATERIAL LIST

Item No.	Description	Material	Qty.
1	Jam Nut	Steel	1
2	Hand Wheel	Ductile or Zinc Die Cast	1
3	O-Ring Nut	Brass	1
4	O-Ring	Mil Buna	1
5	Bonnet (1") Bonnet (1 1/2" -2")	Brass Bronze	1
6	Stem/Disc Holder Assm.	Brass/PTFE	1
7	Body	Bronze	1

Size	A	B	C (Open)	C (Closed)	Weight
1"	3.03	2.94	4.38	4.00	2.47
1 1/2"	4.06	3.72	5.5	4.32	3.40
2"	4.66	3.56	7.25	6.50	6.40