



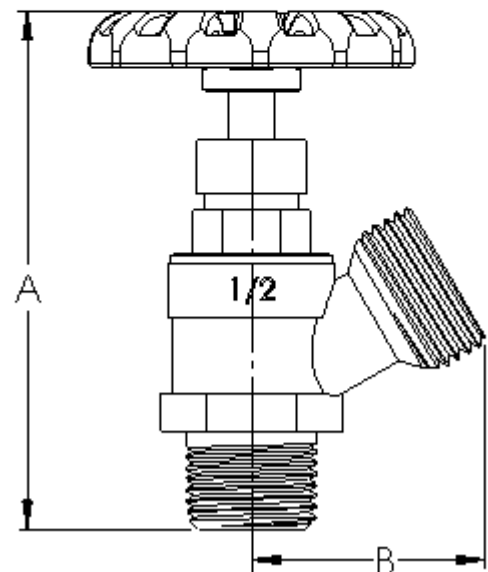
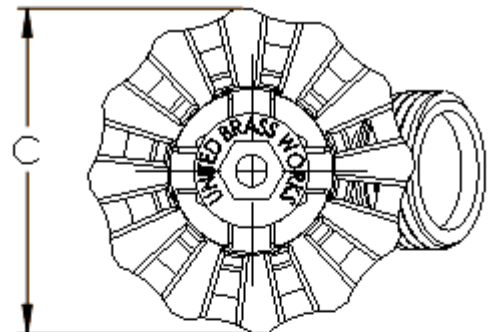
UNITED BRASS WORKS, INC.
 714 S. Main St. Randleman, N.C. 27317
 Tel: 800-334-3035 Fax: 800-498-4696 www.ubw.com



Model 19 Boiler Drain Valve (Imported)

125 CWP @ 180° F Max.
**All Brass Construction with Buna
 Disc**

***Contains Lead. Not Intended for
 Use in Potable Water Systems***



Size	1/2"	3/4"
A	3.40	3.40
B	1.50	1.50
C	2.10	2.10
Wgt. (lbs.)	.44	.53