



UNITED BRASS WORKS, INC.

714 S. Main St. Randleman, N.C. 27317

Tel: 800-334-3035 Fax: 800-498-4696 www.ubw.com



Model 123 Double Flanged Globe Valve

200 WOG

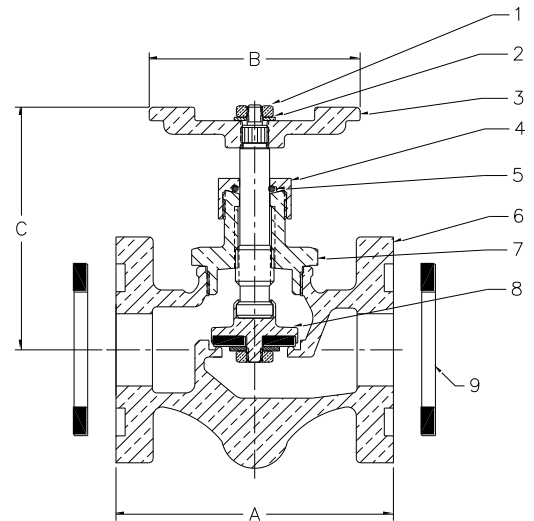
100% Pressure Tested

Rising Stem • Swivel Disc Holder

PTFE Disc • Integral Seat

Flanges Conforming to ANSI/ASME B16.24

Operating Temperature -50° C to +135° C



Item No.	Description	Material	Qty.
1	Disc Nut	Steel	1
2	Washer	Brass	1
3	Hand Wheel	Brass	1
4	O-Ring Nut	Brass	1
5	O-Ring	Mil Buna	1
6	Body	Bronze	1
7	Bonnet	Brass	1
8	Stem / Disc Assembly	Brass / PTFE	1
9	Gasket	Mil Buna	2

Size	A	B	C (Open)	C (Closed)	Bolt Hole Circle	Bolt Hole Diameter	Weight
1"	4.05	2.90	3.80	3.40	3.125	0.625	5.70
2"	5.50	3.75	6.00	5.50	4.75	0.75	14.80